

## Light Kit Installation for Spectrum Skylight Tubes

Thank you for purchasing the Spectrum Skylight Tube Light Kit from U.S. Sunlight Corp. We are committed to providing alternative energy products that can improve your everyday life and our environment.

**If there is a problem with your U.S. Sunlight product call us at 1-877-50-USSUN**

Spare parts and installation advice are only a call away.

Before beginning the installation of your Light Kit, please read through the entire installation instructions and call us if you have any questions.

We recommend using a 100 Watt equivalent Compact Fluorescent Light Bulb (CFL)  
**USE 60 WATT MAXIMUM LIGHTBULB**  
(not included)

### TOOLS REQUIRED

- Ladder
- Power drill
- 1/8" and 5/8" drill bits
- Measuring tape or ruler
- Pen or marker
- Phillips Drill Bit

### Step 1

The Light Kit is to be installed after completing the installation of your Spectrum Skylight Tube. You will need to remove the Diffuser Lens.

### Step 2

Make sure there are no obstructions in the roof space where you will install the Light Kit. You should have a clearance of at least 5" (**fig. 1**)

### Step 3

Measure and mark a spot 1 5/8" from the bottom edge of your ceiling frame. (**fig. 2**)

Fig.1

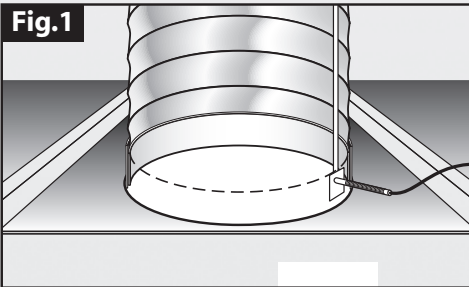


Fig.2

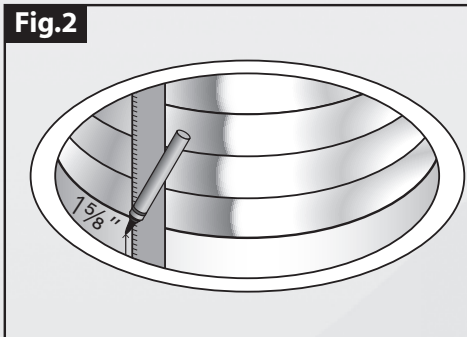
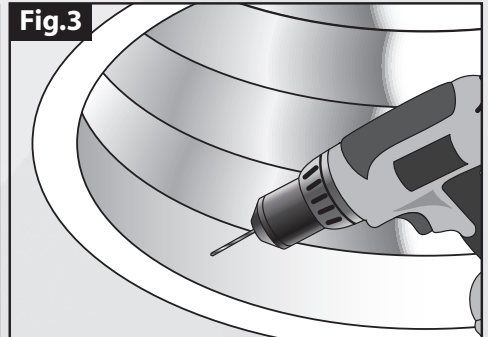


Fig.3



### Step 4

Drill a 1/8" pilot hole on your "marked spot" (**fig. 3**)

### Step 5

Drill a 5/8" hole through your pilot hole. (**fig. 4**)

### Step 6

Insert the wire and flexible metal tube of the Light Kit through the hole you have drilled. Now, while holding the Light Kit in position, use a power drill with a phillips head drill bit and screw the four self-drilling screws through the guide holes in the Light Kit and into the ceiling parts. (**fig. 5**)

Fig.4

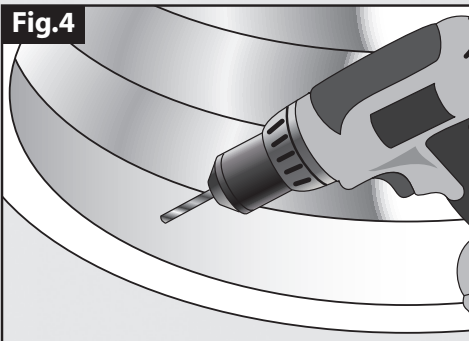
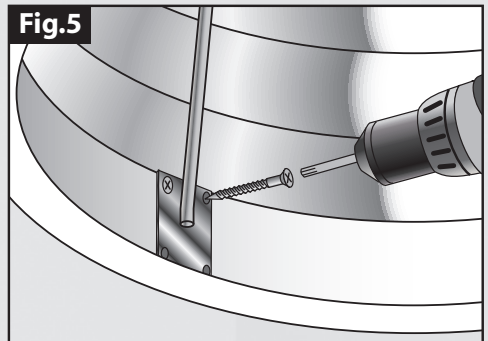


Fig.5



### Step 7

Wiring from the light must be properly terminated inside a junction box and securely affixed to a structural member in the attic per local building codes.

**Consult a licensed electrician to complete the installation process, complying with all applicable building codes.**